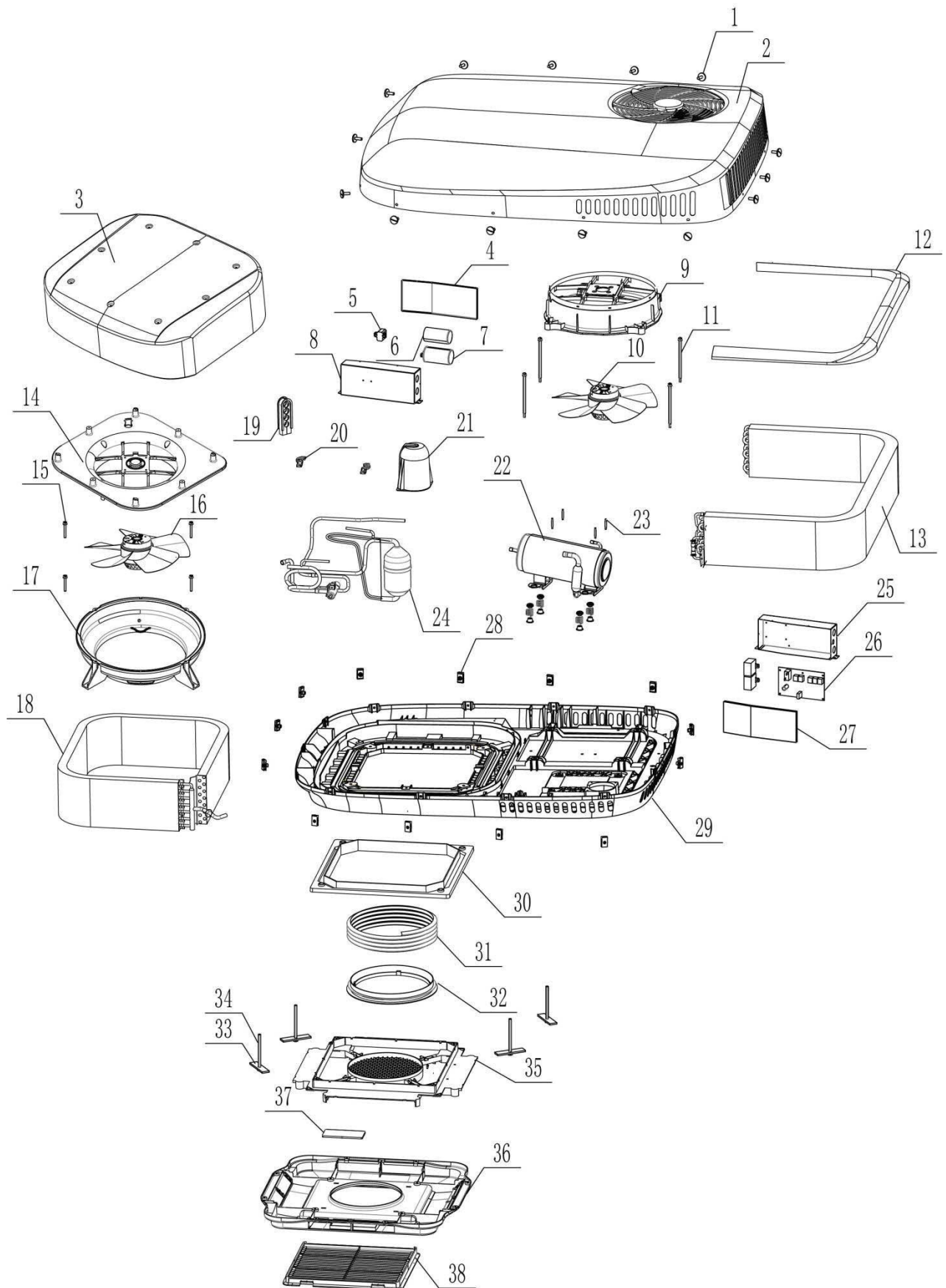


Exploded Diagram and Parts List



No.	Figure No.	Name	Qty
1	18-12-13	Mushroom head screw, white, M5	13
2	4708-1000-01(ZH4)	Canopy (silk-screened)	1(H3400)
	7398-1000-01	Canopy (silk-screened)	1(A3400/A3401)
3	4708-1000-08(ZL)	Evaporator housing	1
4	4708-1701-06	Electrical box lid	1
5	4678-1701-03	PTC start relay	1(H3400)
6	4678-1701-02	Compressor start capacitor	1(H3400)
7	TDQ-04204	Compressor run capacitor (30 μ F)	1(H3400)
	7280-1700-03 (ZH2)	Compressor run capacitor (60 μ F)	1(A3400/A3401)
8	4708-1701-07	Electrical box 2	1
9	4708-1000-24	External fan motor bracket	1
10	4708-1700-26	Outside fan (3 μ F)	1(H3400)
	7398-1700-26	Outside fan (10 μ F)	1(A3400/A3401)
11	4708-1000-23	Outside fan mounting studs	4
12	4708-1210-11	Condenser thermal insulation layer	1
13	4708-1210-00	Condenser components	1
14	4708-1000-09(ZL1)	Internal fan motor bracket 1	1
15	18-02-16	M5 x 15 hex head bolt	4
16	4708-1700-27(ZL2)	Inside fan, axial (1.5 μ F)	1(H3400)
	7398-1700-27(ZL)	Inside fan, axial (7 μ F)	1(A3400/A3401)
17	4708-1000-09(ZL2)	Inside fan motor bracket 2	1
18	4608-1220-00(ZL)	Evaporator components	1
19	4708-1000-15	Pipe clamp	1
20	4708-1230-06	Pipe bracket	2
21	4708-1000-14	Accumulator holder	1
22	4678-1000-06	Compressor	1(H3400)
	7398-1000-06	Compressor	1(A3400/A3401)
23	3068-1000-13(ZH1)	Compressor stud	4
24	4708-1030-00	Four-way valve assembly	1(H3400)
	7398-1030-00	Four-way valve assembly	1(A3400)
	7448-1030-00	pipe assembly	1(A3401)
25	4708-1701-05	Electrical box 1	1(H3400 without LED lights)
	4708-1701-05(ZL)	Electrical box 1	1(H3400 with LED lights)
	7398-1701-05	Electrical box 1	1(A3400/A3401)
26	4708-1240-01(f)	Electronic control board	1(H3400 without LED lights)
	4708-1240-01(ZL)	Electronic control board	1(H3400 with LED lights)
	7398-1700-08	Electronic control board	1(A3400/A3401)
27	4708-1701-06	Electrical box lid	1(H3400 without LED lights)
	4708-1701-08(ZL)	Electrical box lid 1	1(H3400 with LED lights)
28	4638-1000-10	B type plate spring nut	13
29	4708-1000-02(ZL)	Base (with inserts)	1
30	4709-1000-07	Roof mount (to suit 360x360)	1
	4709-1000-07(E)	Roof mount (to suit 400 x400)	1
31	4709-0000-04(ZH4)	Air duct	1
32	4709-0000-12	Air duct loop 2	1